

MOBILELEASE MODULAR SPACE INC.

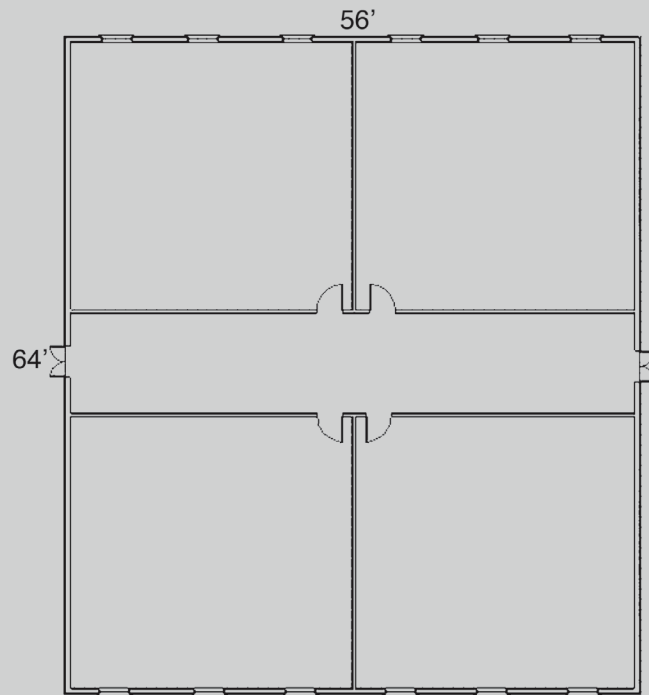
137 Crown Point Rd. Thorofare, NJ 08086

www.mobileasemodular.com

P: 888-649-6007

F: 856-686-9240

MODEL NUMBER	BUILDING USE	BUILDING SIZE	SQUARE FOOTAGE
EDU-040	EDUCATION	56'X64'	3,584 sq.ft.



SPECS:

Exterior Siding: 7/16 Smart Panel

Interior Walls: Vinyl Covered Gypsum

Ceiling: Suspended

Floor: Carpet or Tile

HVAC: (4) Three Ton/15KW

Plumbing: None

Electric: (4) 150 AMP, single phase

Windows: (12) 46"x27" Horizontal Sliders

This available modular building is subject to availability. Listed dimensions may vary and are based on nominal sizes. Please contact Mobilelease Modular Space, Inc. for pricing and to receive a formal proposal with complete specifications, drawings, and for additional delivery and installation details. The floor plan and specifications can be modified if necessary.

www.mobileasemodular.com